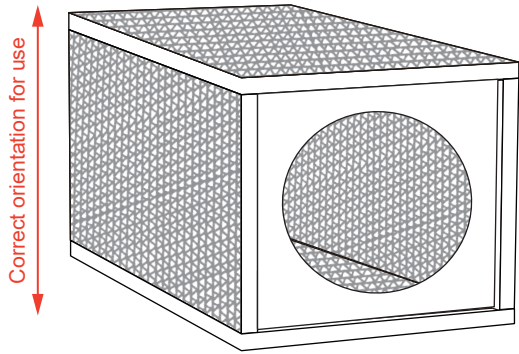


Cat Scratcher House / Tunnel



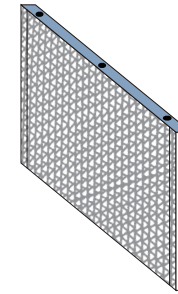
Care Instructions:

- Assemble this product on a flat even surface.
- This product is for indoor use only.
- Make sure the product's surfaces are clean and dry.
- When moving the assembled product, lift from the bottom.
- K/D products contain small parts that are not suitable for children to access.

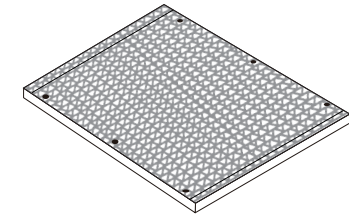
Parts



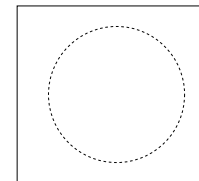
A x 12
Dowel



B x 2
Vertical panel



C x 2
Horizontal panel



D x 2
Back panel



Silvervine powder x 1

Something Wrong?

Don't rush to return! We're here to help. Contact us via Amazon Messages or Email and we'll find the best solution for you - whether that's a replacement or refund.



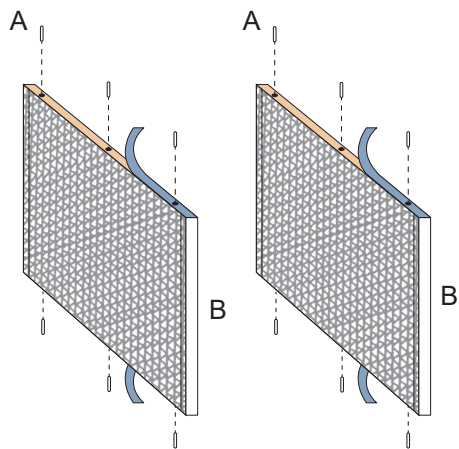
Email: contact@anikitty.com

Need Assembly Help?

Scan the QR code to for a quick step-by-step video tutorial.

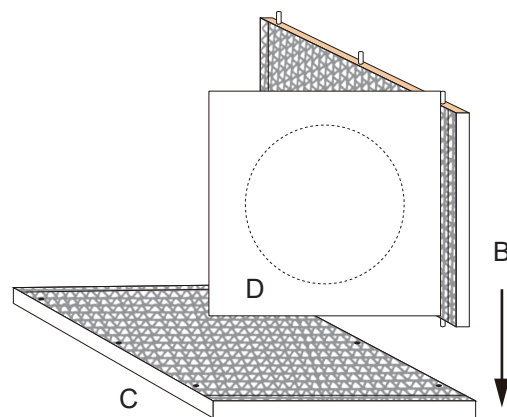


1



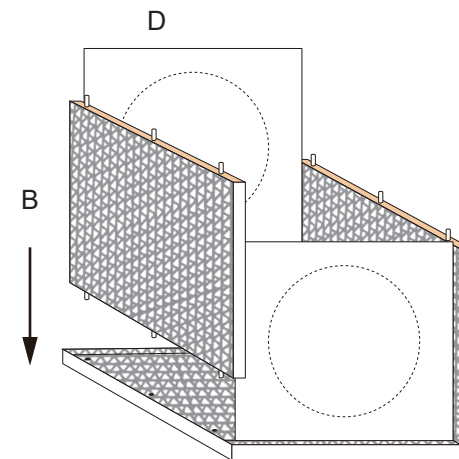
Remove the release liners from the **Vertical panels (B)**, then insert **dowels (A)** into the holes.

2



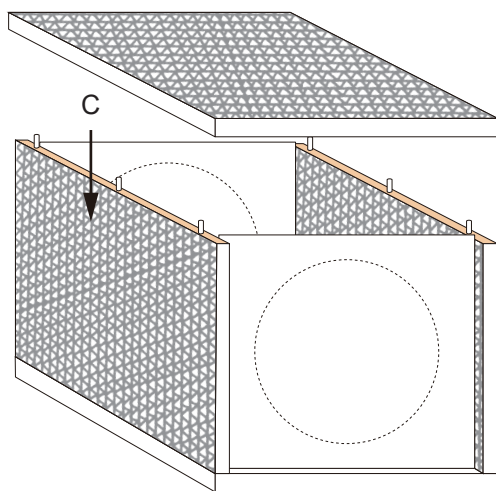
Stick one **Vertical panel (B)** onto the **Horizontal panel (C)**, then insert and install the **Front / Back panel (D)** along the grooves on the panels.

3



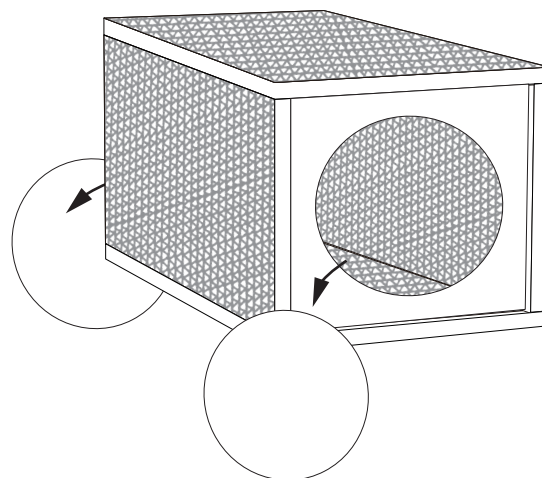
Stick the other **Vertical panel (B)** onto the **Horizontal panel (C)**, then insert and install the **Front / Back panel (D)** along the grooves on the panels.

4



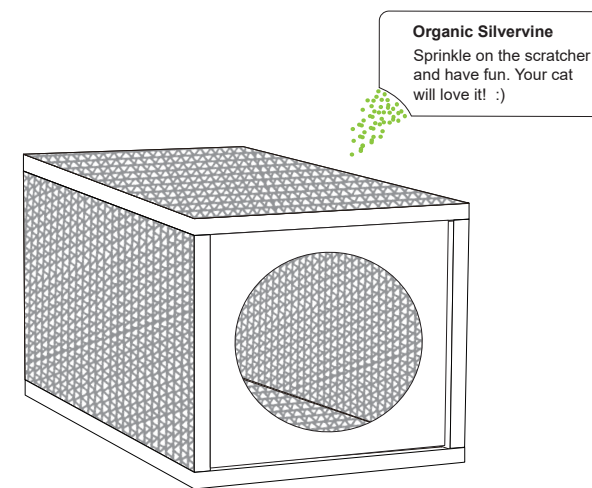
Stick the other **Horizontal panel (C)** onto the structure.

5



Tap and pop open the circular cutout for the entryway.

6



Organic Silvertine
Sprinkle on the scratcher and have fun. Your cat will love it! :)

Sprinkle some **organic silvertine** powder to attract your cats.



This product uses pressure-sensitive tape. To attain maximum loading capacity, **Please Press All Adhesive Firmly for 30 Seconds** after finishing assembly. The adhesive will fully adhere after 24 hours.



Don't place in direct sunlight, near a heater, or in humid spaces.