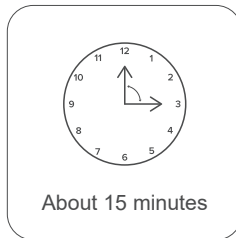
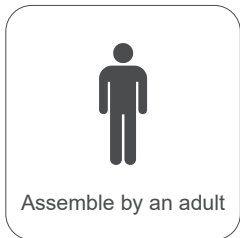
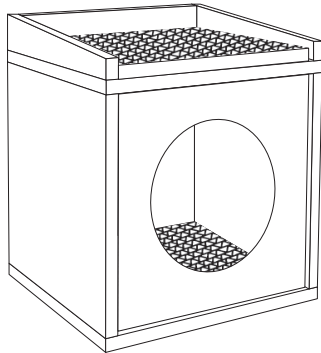


Cat House with Scratcher Platform



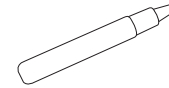
Care Instructions:

- Assemble this product on a flat even surface.
- This product is for indoor use only.
- Make sure the product's surfaces are clean and dry.
- When moving the assembled product, lift from the bottom.
- K/D products contain small parts that are not suitable for children to access.

Parts



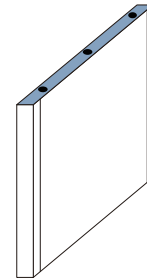
A x 20
Dowel



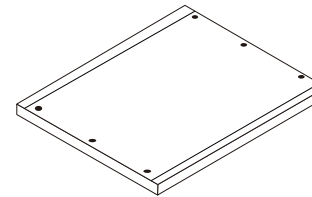
Glue x 2



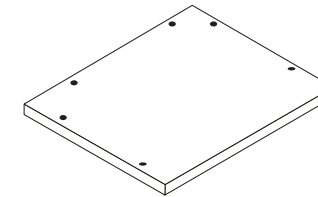
Silvervine powder x 1



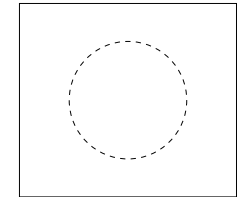
B x 2
Side panel



C x 1
Bottom panel



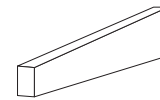
D x 1
Top Panel



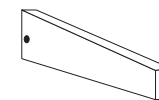
E x 2
Front / Back panel



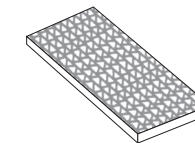
F x 1
Platform back panel



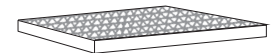
G x 1
Platform left panel



H x 1
Platform right panel



I x 2
Cat house scratcher



J x 1
Platform scratcher

5.0



Your feedback means a lot to us! If you receive anything below a 5-star experience, please contact us, and we will do everything we can help to make things right!

Need Help?

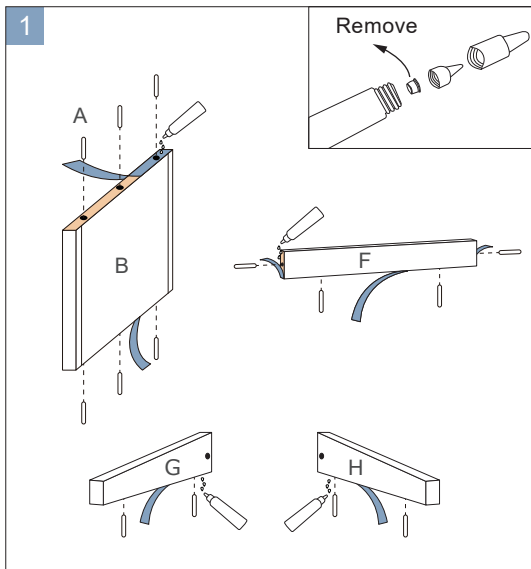


Email: contact@anikitty.com

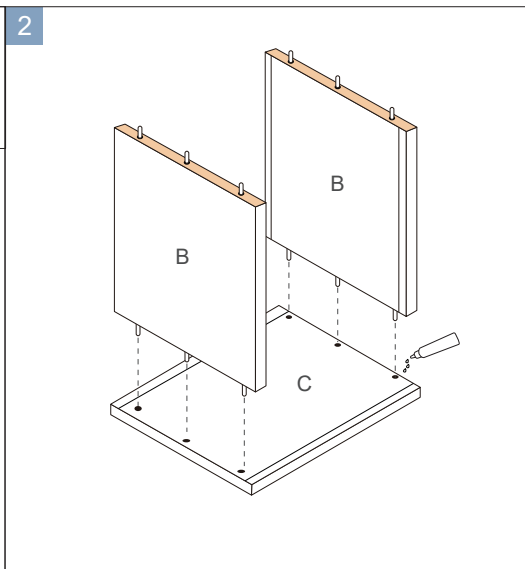


Web: <https://anikitty.com/contact>

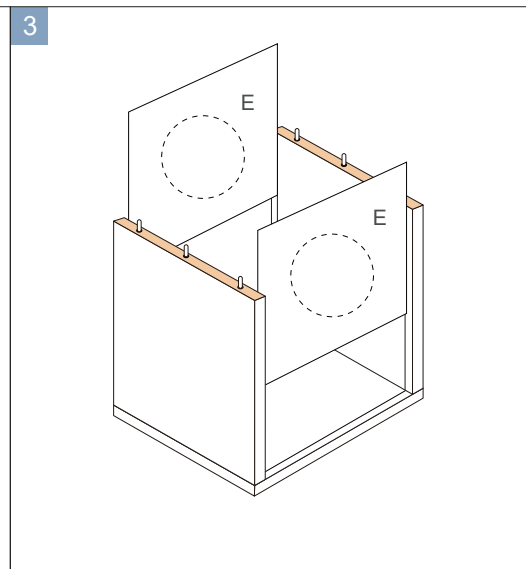




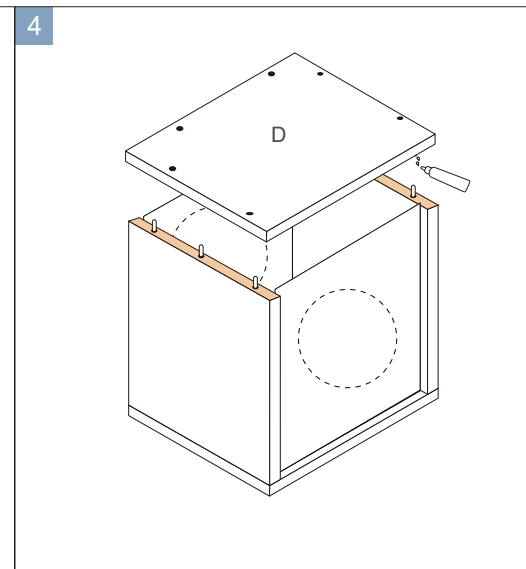
Remove the release liners from the panels. Insert **Dowels (A)** into each hole with some **glue**.



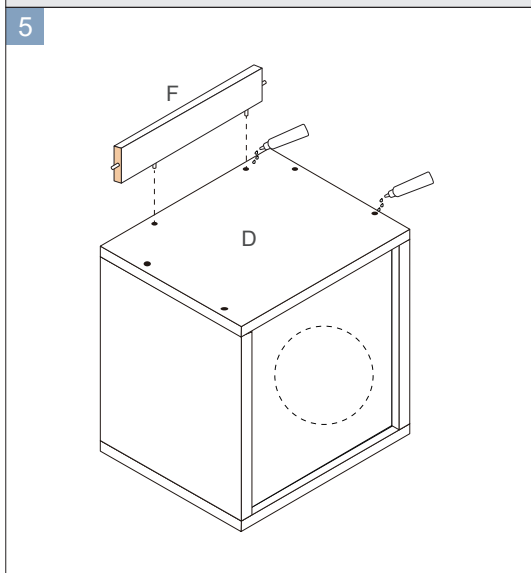
Apply **glue** to all the holes on the **Bottom panel (C)** and stick the **Side panels (B)** onto it.



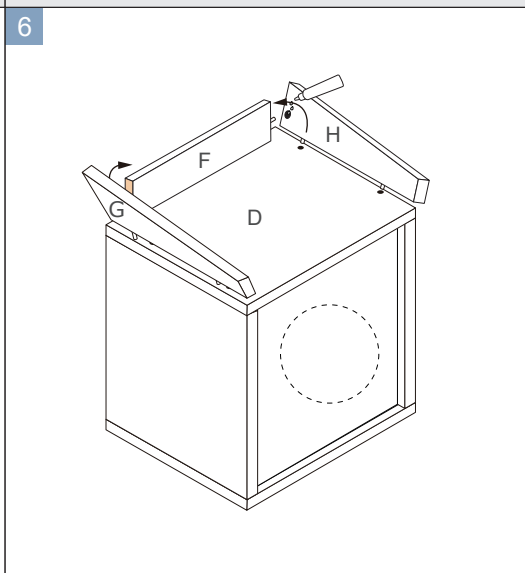
Insert and install the **Front / Back panels (E)** along the grooves on the **Side panels (B)**.



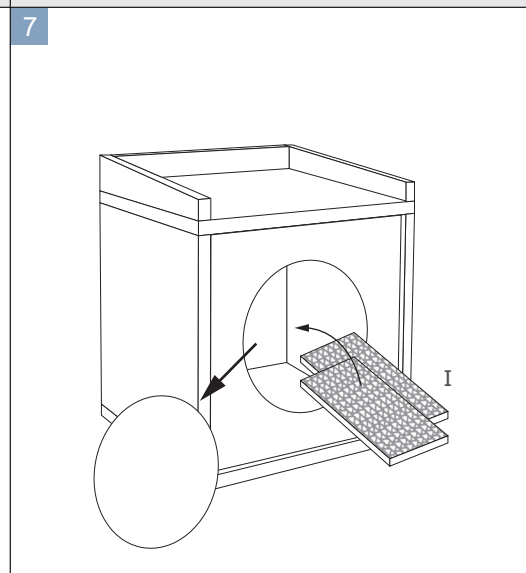
Apply **glue** to all the holes on the **Top panel (D)** and stick it to the structure.



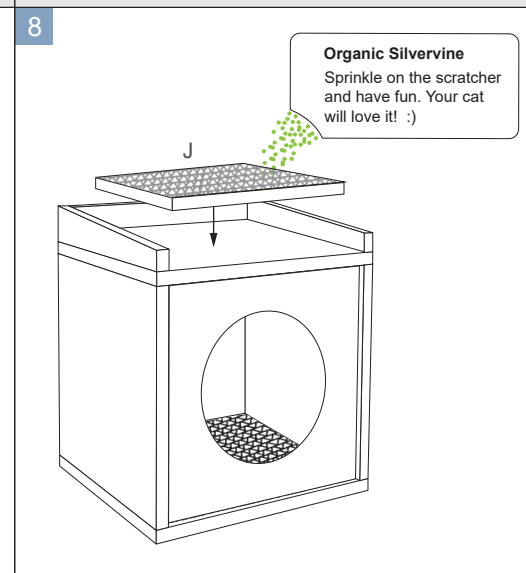
Apply **glue** to all the holes on the **Top panel (D)** and stick the **Platform back panel (F)** onto it first.



Align the **Platform left panel (G) / right panel (H)** with the **Top panel (D)**, and stick them to the **Platform back panel (F)** with glue.



Tap and pop open the circular cutout for the entryway. Place the **Cat house scratchers (I)** inside the structure.



Place the **Platform scratcher (J)** on top and sprinkle some **Organic silvamine powder** on scratchers to attract your cats.



This product uses pressure-sensitive tape. To attain maximum loading capacity, **Please Press All Adhesive Firmly for 30 Seconds** after finishing assembly. The adhesive will fully adhere after 24 hours.



Don't place in direct sunlight, near a heater, or in humid spaces.